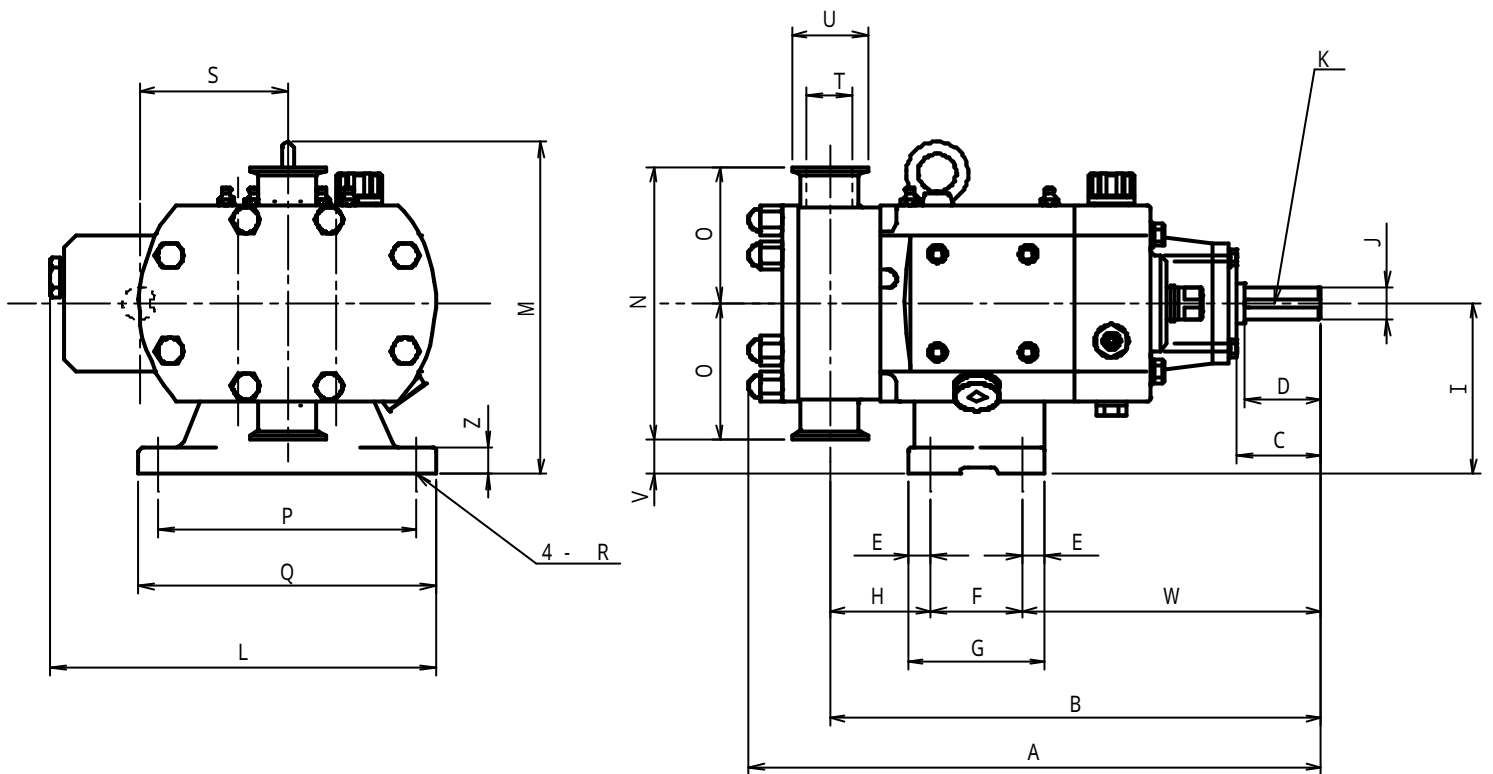


SC SERIES DIMENSIONS

VERTICAL CONSTRUCTION



[mm]		SC 15	SC 30	SC 60	SC130
A		377.5	447.5	547.5	577.5
B		324	380	470	485
C		55	56	65	65
D		50	50	60	60
E		15	15	20	20
F		60	75	125	125
G		90	105	165	165
H		67	84	70	85
I		113	140	150	150
J		22	34	45	45
K	Width	6	10	12	12
	Depth	3.5	5	5	5
L		254.5	296	407.5	407.5
M		219.5	251.5	300	300
N		180	217	270	270
O		90	108.5	135	135
P		170	196	280	280
Q		196	220	310	310
R		11	11	14	14
S		97.5	126	172.5	172.5
T		30	47	47	72
U		1.5"	2"	2"	3"
V		23	31.5	15	15
W		197	221	275	275
Z		18	20	23	23